

# Neptune

IP68 LED Pool & Pond Fixture

## Description

The Neptune LED fixture is a versatile Australian made IP68 submersible LED light fitting. As a fully submersible fixture it is perfect for pool, spa and pond projects. It is available in various colours plus RGB and has accessories for wall mount, recessed, flush and yoke mounted applications.



## Specifications

### VERSIONS

1w Fixed Colour Flush, Low Profile  
3w Fixed Colour Flush or Low Profile  
3w RGB Colourmixing Flush or Low Profile  
1w Fixed Colour Yoke Mount  
3w Fixed Colour Yoke Mount  
3w RGB Colourmixing Yoke Mount

### BEAM SPREAD

Narrow 10°  
Narrow 12°  
Elliptical 6° x 24°  
Medium 22°  
Wide 56°  
Flat Frosted

### FINISH

Stainless Steel (316 Marine Grade)

### WEIGHT

Stainless - 200g

### LENS

*Exterior*  
- Flat 6mm Toughened glass

### RATING

IP68

### PROTECTION

On board thermal management

### TEMPERATURE

-10° to 45° Centigrade

### COLOURS

Warm White (W3 - 3200K)  
Cool White (W5 - 5500K)  
Royal Blue (B)  
Red (R)  
Amber (A)  
Green (G)  
RGB (RGB)

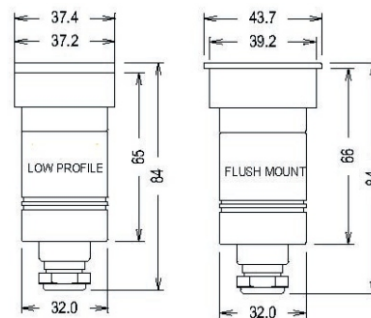
### MOUNTING

Accessories for 40mm & 50mm class 9 pressure pipe.  
Yoke mounting with base plate or spike.

### VOLTAGE

Fixed Colour Versions - 9 to 28V 50/60Hz AC  
RGB Versions - 24VDC  
\*Not to be used with high frequency halogen electronic transformers.

### SIZE



Note—Specifications subject to upgrades and/or changes without notice

lighttech®  
Australia Pty Ltd

freecall 1800 950 888  
info@lighttech.com.au  
www.lighttech.com.au